

Every locksmith call has that mix of embarrassment and relief, and I have a stack of those memories from years working around locks and doors. I called a service and the tech arrived quickly and the company I used was [mobile locksmith Orlando](#), arriving with the right tools and experience to get both car and home opened without damage. That one job taught me how to recognize a reputable 24 hour locksmith and what questions to ask before they drive over. [locksmith 24 hours](#) Below are real stories and lessons [professional locksmith](#) that explain why a mobile locksmith is often the best option, and what to expect when you call.

How I learned to judge a locksmith by their first five questions.

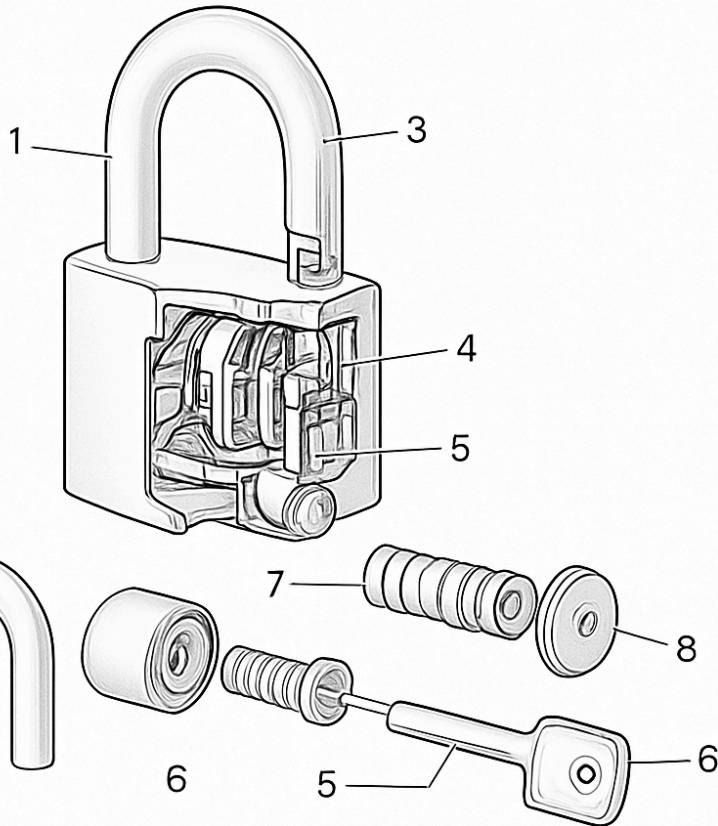
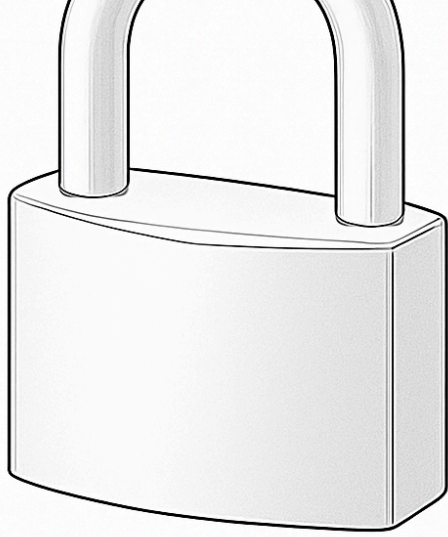
When the first technician called me back and asked targeted questions, I relaxed. Give clear information about the lock type and whether a child or pet is inside, and the tech can arrive prepared for non-destructive entry. Questions about whether the lock is a cylinder or lever show practical experience.

Car lockouts: five real calls and what went into each resolution.

One call about a Civic stuck with the engine running clarified that a slim tool would work through a narrow gap. The technician used [locksmith Orlando](#) tactics to gain access without breaking glass by using an air wedge and a long-reach tool, which was faster and cheaper than replacing a window. Sometimes newer cars need an OBD programmer, which raises the price but ends the lockout cleanly without forcing a dealer visit. If the keys are snapped in the ignition or the vehicle has a transponder, expect the call to take 30 to 90 minutes rather than 10 minutes.

Home lockouts that were simple versus the ones that required a locksmith to replace hardware.

Humidity and door swelling make seasonal jams common, and often a latch realignment is all that is needed. I had another call where the tenant had left the spare key inside and the door had a reinforced latch; the tech used non-destructive extraction by manipulating the cylinder rather than drilling. If a lock has been previously tampered with or modified poorly, the locksmith will recommend replacement rather than a patch job. Always ask whether the locksmith intends to rekey or to replace the cylinder, and whether the replacement meets local fire egress and code requirements.



1 Shackie	6 Dnikons	7 Springs
-----------	-----------	-----------

Why a mobile locksmith often beats the dealer for lockouts and simple programming tasks.

The mobile tech arrived the same day and programmed the fob in under an hour for a fraction of the cost. Warranty clauses sometimes require dealer-only service for certain components, which influences whether to call a mobile shop or an authorized dealer. The reliable rule is to ask the locksmith about experience with your car make and about any required security tokens.



Live tips for avoiding lowball or inflated locksmith quotes

A technician who says one amount for labor and another for parts, then explains why, is usually more dependable. A clear breakdown protects you from an unexpectedly large charge at the end of the job. Ask whether the plan is non-destructive entry, key cutting, or cylinder replacement before they start.

What I carry now so a locksmith visit becomes unnecessary more often.

I started leaving a magnetic spare key in a discrete spot on my vehicle and labeling a home spare with a discreet tag at a neighbor's house. If you have a keypad lock, program two codes and keep a physical key in a safe location as redundancy. Put your locksmith's number in your phone under a recognizable name, and that will save time if you need to read contact info in the dark.

Boundary cases where opening a door involves more than tools

Proper documentation prevents confusion later about who authorized the entry. If you're dealing with an estate, landlord-tenant dispute, or police request, have identification and proof of ownership ready before the tech arrives. A locksmith who routinely works with law enforcement will recommend minimally invasive methods where possible.

Pricing reality check - what typically drives the bill and what you can reasonably expect to pay.

Simple non-destructive car entries and standard deadbolt rekeys are often the least expensive, usually showing lower labor time and no parts cost. Many companies publish weekday rates and emergency rates, and that difference is where surprises happen if you do not ask. If possible, get a photo of the planned replacement hardware and a written receipt showing brand and model.

Final advice I give friends when they ask me to recommend a locksmith.

I find that having a short list of reputable locksmiths and checking reviews before an emergency pays off under pressure. If anything feels off, call a second opinion rather than trusting haste. With a few small habits and a trusted local contact, most lockouts stop being emergencies and become manageable chores.

A locksmith visit should leave you with a working lock and a clear explanation, not a list of surprises. If you keep a sensible backup plan and a trusted local pro on speed dial, you will recover from lockouts quickly and without drama.