

If your header reads 24 Hour Mobile Auto Locksmith Now, you probably need a reliable locksmith who comes to your car. I wrote this guide from years working roadside and in shop to give clear expectations about cost, timing, and service quality.

Why choosing a mobile auto locksmith changes the experience

Mobile locksmiths perform most key and lock services roadside, avoiding the need to tow a vehicle. Their vans are essentially rolling workshops stocked with blanks, programming devices, milling machines, and lock cylinders, allowing them to handle a surprising range of jobs on the spot. That on-site capability translates to faster turnaround for drivers, fewer tows, and a lower overall disruption to your day.

Common mobile locksmith services for vehicles

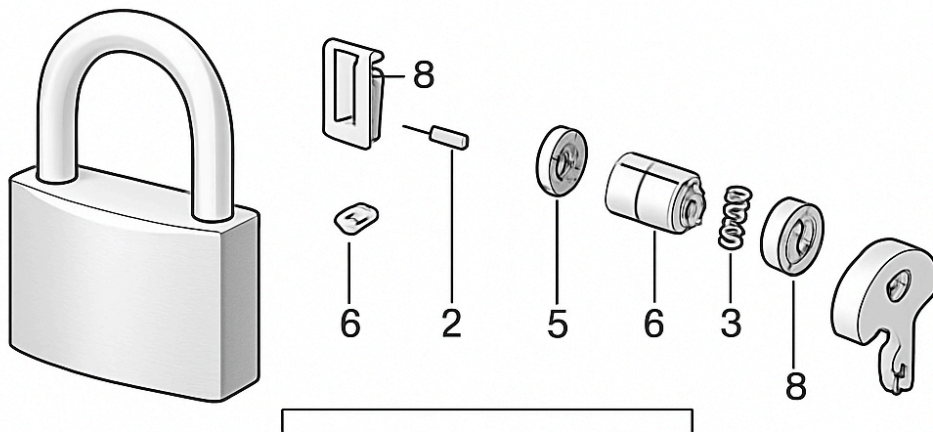
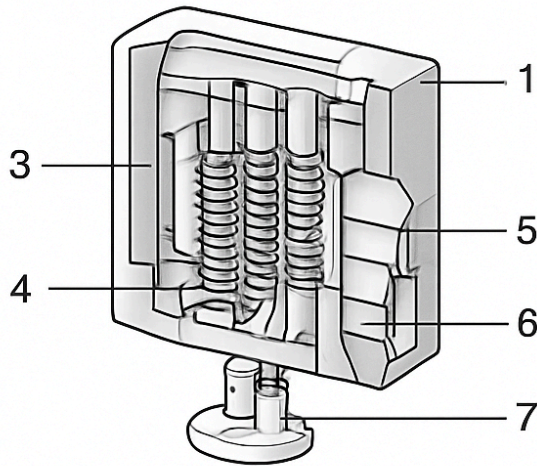
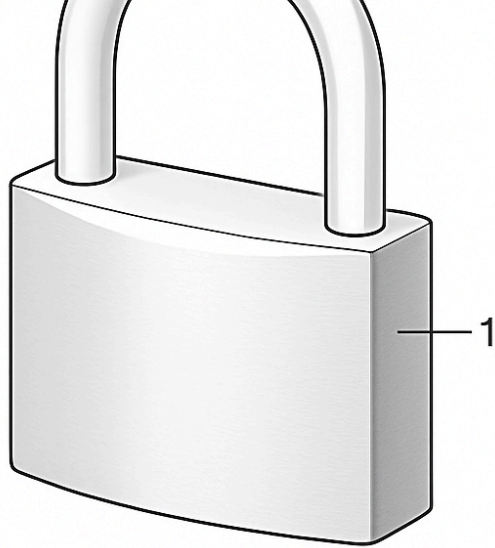
Car key replacement is the headline service most people need, and mobile locksmiths commonly supply new mechanical keys as well as transponder and key fob programming. [locksmith](#) House lockout work sometimes overlaps with car work when techs serve both markets, but vehicle entry uses slim jims, wedges, and specialized picks rather than house-style tools. Besides keys and entry, ignition cylinder replacement, extracting snapped keys, and rekeying are common, and most vans carry basic replacement parts to finish the job on site.

Typical response and repair times for mobile locksmiths

Simple lockouts and single mechanical key cuts can be completed in 10 to 30 minutes once the technician arrives. Transponder programming, key fob replacement, or complex ignition work normally stretches the visit to 30 to 90 minutes, sometimes longer for rare or luxury models. Arrival windows vary by provider and time of day, but a 20 to 45 minute ETA is a reasonable expectation in most urban and suburban areas.

What affects price and how to evaluate quotes

Expect pricing to reflect whether the call is at midnight or midday, whether you need a simple key or a chipped fob cut and programmed, and whether replacement components are needed. If you call at night or on a holiday, budget for a heavier charge to cover technician overtime and quicker response demands. Parts like factory key fobs, transponder chips, or branded ignition cylinders can add \$50 to several hundred dollars, while basic blanks and cutting are relatively inexpensive.



Signs of a reputable mobile locksmith

A reputable technician will tell you their license or registration number, confirm insurance, and offer a transparent quote before starting work. A local address and consistent contact details, plus positive reviews over time, are better indicators of a legitimate service than a single low-cost ad. Request the name of the technician, ask whether they have experience with your car's make and model, and get a written receipt and warranty terms when they finish.

What information to have ready

Showing proof of ownership and giving exact vehicle identifiers like VIN and year will reduce delays and avoid extra questions at the scene. Describe the problem clearly, for example whether the key is broken in the ignition, the fob has water damage, or the car was locked with the keys inside, to help dispatch the right tools. If you can move to a well-lit, safe spot and park legally where the technician can work, that often reduces time on site and makes the job easier.



Real scenarios that show why choices matter

Once I cut a simple mechanical key at a grocery store parking lot, the job took 12 minutes and the customer was back inside in time to finish shopping. On a different call a broken transponder and an outdated security system required soldering and a coded blank that added an hour and a parts cost, proving that not all jobs end quickly. After a night call where the fob was waterlogged and beyond repair, I started asking callers to check for visible damage first, which saved time and set correct expectations.

Safety, legality, and privacy considerations

Locksmiths must verify ownership to avoid unlawful entry, and technicians who skip this step are taking legal risks and putting you at risk too. If you care about privacy, ask what customer data the company logs and how long those records are kept, because policies differ among providers. A professional approach uses non-destructive entry when possible and always includes ownership checks, while shortcuts are a red flag.

Edge cases where mobile service cannot finish the job

If a vehicle has a locked manufacturer immobilizer that needs dealer-level reprogramming, mobile locksmiths may be limited to temporary solutions or a tow to a dealer. Heavy damage to the ignition harness, control modules, or key transponders often forces a tow because the necessary components and bench diagnostics are not practical roadside. When a tow is recommended, request a clear outline of why the tow is needed and a cost estimate for the follow-up repairs so you can compare options.

Small investments that reduce the chance of an emergency locksmith call

Carrying a discreet backup key or storing one in a known, secure spot reduces risk and usually removes the need for an emergency mobile call. Swapping fob batteries at the first sign of weakness or replacing a cracked housing can prevent lockouts and emergency trips, and battery cells are cheap insurance. Having digital copies of registration and proof of ownership ready reduces delays and helps the technician verify authorization without unnecessary back-and-forth.

Final practical checklist before you place a call

When you call, state your precise location, vehicle make and year, request an arrival time and a written quote, and prepare ownership documents for the technician. Look for a spare key you may have left at home or with a friend, and if the roadside spot feels unsafe, relocate to a well-lit public area where the technician can work. Request payment methods and a written receipt and ask whether workmanship or parts carry any warranty so you have recourse if something fails soon after.

Choosing between cost and convenience - practical trade-offs

When you need to be on the road fast, selecting a responsive mobile service often costs more but saves hours lost to towing and shop wait times. When budget is the main concern, getting multiple quotes and waiting for a non-emergency daytime appointment at a shop will usually reduce total cost. For high-end or rare vehicles, weigh the value of factory programming against the potential higher cost at a dealer, because guaranteed OEM programming may be worth the expense.

With a clear expectation of times, costs, and verification steps, you can place [mobile locksmith service](#) a call knowing what will happen and what to ask for at the scene. If you keep a spare mechanical key, maintain fob batteries, and store vehicle details securely, you will lower the chance of an emergency and the expense that goes with it. When in doubt, ask questions, get a written estimate, and pick a local, licensed technician who explains the process clearly before starting work.

Locksmith in Orlando, Florida: If you're looking for a reliable locksmith in Orlando, FL, our company is here to help with certified and trustworthy locksmith services designed to fit your needs.

Locksmith Orlando | Locksmith Unit

- **Address:** 3725 Conroy Rd, Orlando, FL 32839, United States
- **Phone:** [+1 407-267-5817](tel:+14072675817)
- **Hours:** Open 24 hours
- **Website:** locksmithunit.com
- **Contact Us:** [Contact Locksmith Unit Orlando, FL](#)
- **About Us:** [About Locksmith Unit Orlando, FL](#)

Connect with us

- **Google Business Profile:** [Locksmith Orlando | Locksmith Unit on Google Maps](#)
- **Facebook:** [Locksmith Orlando | Locksmith Unit on Facebook](#)
- **Instagram:** [Locksmith Orlando | Locksmith Unit on Instagram](#)
- **YouTube:** [Locksmith Orlando | Locksmith Unit on YouTube](#)
- **TikTok:** [Locksmith Orlando | Locksmith Unit on TikTok](#)
- **X (Twitter):** [Locksmith Orlando | Locksmith Unit on X \(Twitter\)](#)
- **LinkedIn:** [Locksmith Orlando | Locksmith Unit on LinkedIn](#)
- **Pinterest:** [Locksmith Orlando | Locksmith Unit on Pinterest](#)
- **Threads:** [Locksmith Orlando | Locksmith Unit on Threads](#)
- **Blogger:** [Locksmith Orlando | Locksmith Unit on Blogger](#)
- **Tumblr:** [Locksmith Orlando | Locksmith Unit on Tumblr](#)
- **Bluesky:** [Locksmith Orlando | Locksmith Unit on Bluesky](#)
- **Band:** [Locksmith Orlando | Locksmith Unit on Band](#)
- **VK:** [Locksmith Orlando | Locksmith Unit on VK](#)
- **Yelp:** [Locksmith Orlando | Locksmith Unit on Yelp](#)

Worldwide Brand Profiles

- **Medium:** [Locksmith Unit on Medium](#)
- **Instapaper:** [Locksmith Unit on Instapaper](#)
- **Diigo:** [Locksmith Unit on Diigo](#)

More Locksmith Services

- [Commercial Locksmith](#)
- [Residential Locksmith](#)
- [Automotive Locksmith](#)
- [Car Locksmith](#)
- [Vaults and Safes Locksmith](#)
- [Lock Change](#)