

Few things feel worse than standing locked out of your car after a long drive, especially when the clock is late. Below I describe field-tested choices for car key replacement, emergency lockouts, and when a mobile locksmith is clearly the best option. Expect usable details, not sales fluff, so you can handle a lock problem with less stress.

Top signs you need an 24 hour locksmith near me.

If the car is running and the key breaks in the ignition, call a mobile locksmith right away. Attempting DIY extraction often makes the part harder to remove and raises replacement cost later. For situations with immediate danger, prioritize emergency services, then secure a locksmith who can open the car without delay. Modern cars often need on-site programming, so an in-shop-only option may not work for immediate re-entry.



What to expect on response time from a mobile locksmith.

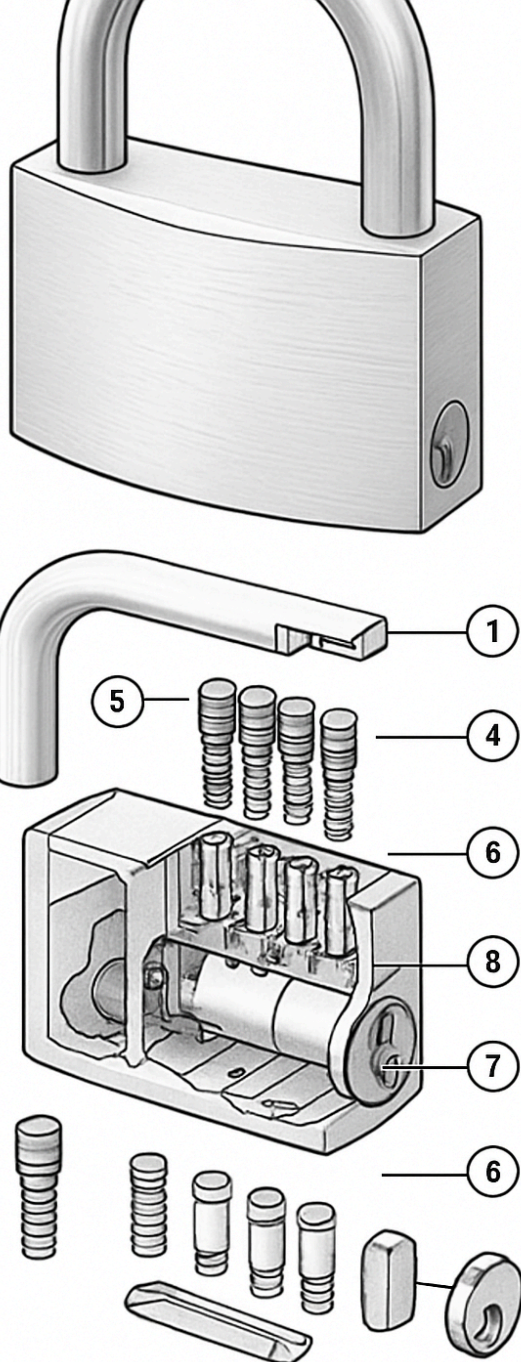
Expect a 20 to 45 minute wait in urban settings unless you called during peak traffic or a holiday. Late night or rural calls commonly take longer, sometimes up to 60 to 90 minutes depending on distance and traffic. Reputable providers will give you an ETA and often text or call when the tech is nearby.

How pricing usually works for car locksmith calls.

Most locksmiths combine a flat service call fee, a job fee, and parts, and you should get those three numbers upfront. If you call at 3 a.m., plan on paying more for the after-hours service call alone. Car key replacement can range from \$75 for a simple cut key to \$400 or more for a smart key with programming. Always confirm the total price before the locksmith starts, including any tax and disposal fees.

What to tell the dispatcher when you call a car locksmith near me.

Clear location and vehicle details are the single fastest way to get the correct tools and avoid delays. If you have a spare key, say so; if the engine is running, say so; and if a key is broken in a lock, say so. If you are in a gated facility or at a workplace with security, explain that up front so the technician knows to bring ID.



1 Shackle	5 Smpins	8 Cam
-----------	----------	-------

Techniques that protect locks and ignition when opening a vehicle.

When possible, I always use non-destructive entry methods such as wedge and long-reach tools rather than drilling. When a lock is corroded or previously damaged, I point it out and give options, because forcing the lock can make things worse. For key extraction I use hollow picks and small extractors under magnification to avoid scratching the keyway.

Car key replacement basics and what modern keys require.

If the car uses only a mechanical key, a good locksmith can cut it and have the vehicle running quickly. Transponder keys need a blank, a cut, and a programming step that speaks to the vehicle's computer, which some mobile locksmiths handle on site. For some smart systems, a dealer visit is unavoidable, but a mobile <https://locksmithunit.com/car-locksmith/> locksmith can usually tell you ahead of time which path is needed.

Questions to ask when a mobile locksmith shows up.

When the locksmith arrives, verify the name and ID you were given and check that the service vehicle matches the description. Request an upfront written estimate or at least a clear verbal quote before any work begins and ask about

payment methods. Demanding to see replaced components is reasonable and helps confirm you were charged correctly.

Small habits that reduce the chance of needing a 24 hour locksmith near me.

A reliable spare key is the simplest prevention, and it pays for itself the first time you lose keys. Regularly maintain key fobs by replacing batteries and keeping the contacts clean so they do not fail unexpectedly. If a key is lost during a break-in or after a relationship change, rekeying is a lower-cost option than full replacement.

Questions to evaluate when searching for a car locksmith near me.

A trustworthy locksmith shows a business address, phone number, and consistent reviews instead of a single listing. Green flags include a license where required by your state, transparency about pricing, and technicians who provide ID and estimates on site. Avoid services that pressure you into expensive repairs immediately or refuse to explain simpler alternatives.

What to do immediately after you realize you need an emergency locksmith.

Start with a phone call that includes location, vehicle make, and whether someone is inside the car. Staying near the car and cooperating with the tech speeds the job and helps keep things secure. If possible, photograph any visible damage before the tech starts so you have a record for insurance or dispute resolution.

The real keys to a smooth experience are a quick phone call, accurate location details, and a willingness to ask the right questions. Follow the preventative steps, vet the technician when they arrive, and insist on clear pricing to make lock issues manageable. When in doubt, step back and seek a second opinion or a manager's confirmation, because reputable companies want to keep your business.

Locksmith in Orlando, Florida: If you're looking for a reliable locksmith in Orlando, FL, our company is here to help with certified and trustworthy locksmith services designed to fit your needs.

Locksmith Orlando | Locksmith Unit

- **Address:** 3725 Conroy Rd, Orlando, FL 32839, United States
- **Phone:** [+1 407-267-5817](tel:+14072675817)
- **Hours:** Open 24 hours
- **Website:** locksmithunit.com
- **Contact Us:** [Contact Locksmith Unit Orlando, FL](#)
- **About Us:** [About Locksmith Unit Orlando, FL](#)

Connect with us

- **Google Business Profile:** [Locksmith Orlando | Locksmith Unit on Google Maps](#)
- **Facebook:** [Locksmith Orlando | Locksmith Unit on Facebook](#)
- **Instagram:** [Locksmith Orlando | Locksmith Unit on Instagram](#)
- **YouTube:** [Locksmith Orlando | Locksmith Unit on YouTube](#)
- **TikTok:** [Locksmith Orlando | Locksmith Unit on TikTok](#)
- **X (Twitter):** [Locksmith Orlando | Locksmith Unit on X \(Twitter\)](#)
- **LinkedIn:** [Locksmith Orlando | Locksmith Unit on LinkedIn](#)
- **Pinterest:** [Locksmith Orlando | Locksmith Unit on Pinterest](#)
- **Threads:** [Locksmith Orlando | Locksmith Unit on Threads](#)
- **Blogger:** [Locksmith Orlando | Locksmith Unit on Blogger](#)
- **Tumblr:** [Locksmith Orlando | Locksmith Unit on Tumblr](#)
- **Bluesky:** [Locksmith Orlando | Locksmith Unit on Bluesky](#)
- **Band:** [Locksmith Orlando | Locksmith Unit on Band](#)
- **VK:** [Locksmith Orlando | Locksmith Unit on VK](#)
- **Yelp:** [Locksmith Orlando | Locksmith Unit on Yelp](#)

Worldwide Brand Profiles

- **Medium:** [Locksmith Unit on Medium](#)
- **Instapaper:** [Locksmith Unit on Instapaper](#)
- **Diigo:** [Locksmith Unit on Diigo](#)

More Locksmith Services

- [Commercial Locksmith](#)
- [Residential Locksmith](#)
- [Automotive Locksmith](#)
- [Car Locksmith](#)
- [Vaults and Safes Locksmith](#)
- [Lock Change](#)