

Rapid Response Key Replacement Near Me is the phrase I hear from customers who just want the problem solved before the day gets worse. Whether you type "24 hour locksmith" or "car locksmith near me" into your phone at midnight, the following pages offer real-world advice from years on the tools and van side of locksmithing.

What "24 Hour Locksmith" Means and How They Operate.

A 24 hour locksmith near me is rarely a single person working from home, and the service model varies by company. In many cities you will get a response time estimate and a plate number or name so you know who is coming; in [More helpful hints](#) smaller towns the same technician often handles both daytime and after-hours calls. Expect response windows like 20 to 60 minutes in urban areas under normal conditions, and longer during storms or holidays.

How a Car Locksmith Near Me Replaces Keys and Programs Fobs.

Car key replacement runs a wide spectrum from cutting a simple blade to cloning a transponder and programming a fob. Programming a transponder or smart key adds labor and equipment costs, and some luxury brands require factory-level tools that raise price and wait time. If the vehicle requires module replacement or dealer software, the bill can rise above \$500, so ask for an estimate and alternatives.

When a House Lockout Means a Simple Key Cut or a Full Lock Change.

If you lost a single key and have no evidence of a break-in, rekeying the existing lock is usually faster and cheaper than replacing the entire set. Rekeying replaces the internal pins so old keys no longer work, and a typical rekey job for several locks might cost a fraction of new hardware and installation. If quick access is the immediate need, a mobile locksmith can often pick or bypass a residential lock without damage, then discuss rekeying on the spot.

Emergency Locksmith Calls: What to Expect After You Dial.

If you are calling from a public place, specify the exact entrance or landmark because parking and approach paths differ. A good locksmith will identify themselves, show ID, and explain the method they plan to use before touching hardware. After-hours calls commonly add a flat fee to the base rate; that fee varies widely, so ask the price before authorizing work.

Why a Well-Equipped Mobile Locksmith Saves Time and Money.

On the residential side, common cylinder sizes, strike plates, and a variety of screws and trim pieces live in the van for same-visit fixes. Technicians who invest in quality tools can often repair or replace on the spot, avoiding return trips and reducing total cost for the customer. Always ask whether parts are new, aftermarket, or salvaged and whether they carry any warranty.

How to Verify a Locksmith and Avoid Bad Actors.

Reputable companies give clear estimates, ask for ownership proof on arrival, and provide receipts with a license or registration where required. A legitimate locksmith will explain techniques, give you options, and accept a reasonable form of payment. Ask for license numbers or certification if your state or region requires them, and request a breakdown of labor versus parts on the quote.

Why Some Keys and Security Systems Require Dealer Intervention.

High-end European cars, certain late-model American trucks, and integrated smart home systems sometimes require dealer-level diagnostic tools. Before accepting a locksmith's quote, ask whether dealer-only restrictions apply to your model and whether a dealer estimate might be higher but unavoidable. Sometimes the hybrid approach works best: the locksmith performs the mechanical work while the dealer completes final programming.

How to Get a Clear Estimate from a Locksmith Near Me.

If the technician gives only a vague verbal range, insist on a clearer breakdown and an upper limit for charges unless additional problems appear. Give honest information about the situation, such as whether other keys exist or whether the immobilizer light is on, so the locksmith brings the right gear. A reasonable price often reflects a technician who invests in quality tools and insurance, and paying a bit more for a reputable operator can save money later.

Small Upgrades That Improve Security Without a Large Bill.

On cars, a simple steering wheel lock or parking in well-lit areas complements locks and alarms at little cost. Installing a door reinforcement plate and using 3 inch screws into the frame transforms the weakest point of many doors for a modest price. Prioritize fixes that address the specific vulnerabilities you face rather than the latest gadgetry.

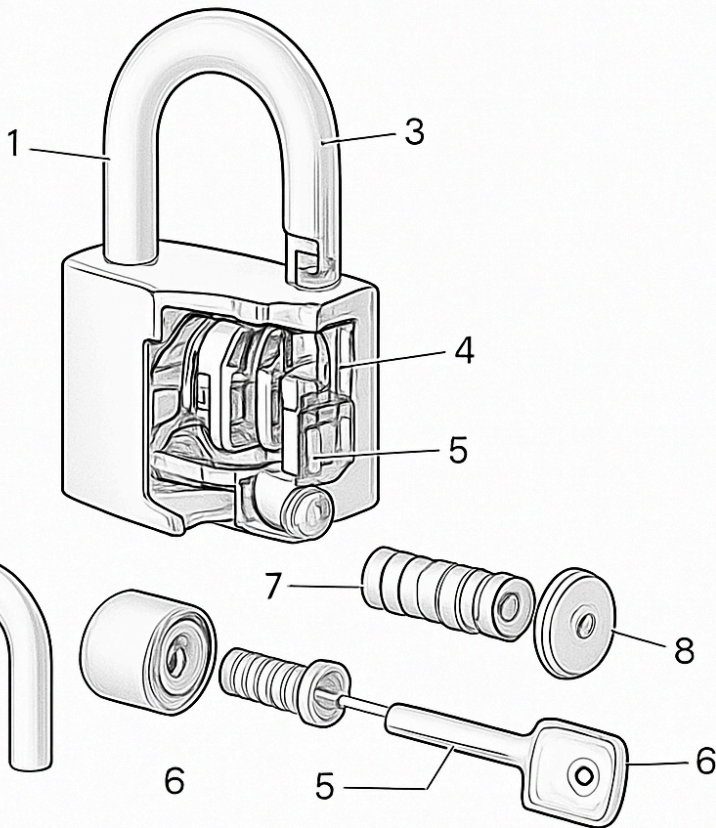
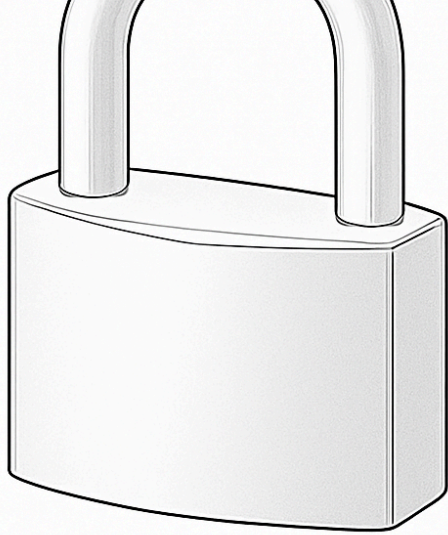


Follow-up Steps After a Locksmith Visit.

Keep the receipt, note the technician name, and store any warranty paperwork in case a part fails or a key needs a re-cut. Most reputable locksmiths offer short warranties on labor and limited warranties on parts; clarify who covers return visits and what voids the warranty. If you move, let the locksmith know so they can flag your records and help plan a coordinated change of locks if desired.

Final Advice When You Search "24 Hour Locksmith Near Me".

Choose clarity over haste when you call a locksmith, and prioritize verification, clear pricing, and technician identification. Keep the number of a local mobile locksmith noted in your phone, and consider adding one more reputable shop for redundancy. Good locksmiths combine practical skills, honest estimates, and a suite of simple preventive suggestions that reduce repeat calls.



1 Shackie	6 Dnikons	7 Springs
-----------	-----------	-----------

Locksmith in Orlando, Florida: If you're looking for a reliable locksmith in Orlando, FL, our company is here to help with certified and trustworthy locksmith services designed to fit your needs.

Locksmith Orlando | Locksmith Unit

- **Address:** 3725 Conroy Rd, Orlando, FL 32839, United States
- **Phone:** [+1 407-267-5817](tel:+14072675817)
- **Hours:** Open 24 hours
- **Website:** locksmithunit.com
- **Contact Us:** [Contact Locksmith Unit Orlando, FL](#)
- **About Us:** [About Locksmith Unit Orlando, FL](#)

Connect with us

- **Google Business Profile:** [Locksmith Orlando | Locksmith Unit on Google Maps](#)
- **Facebook:** [Locksmith Orlando | Locksmith Unit on Facebook](#)
- **Instagram:** [Locksmith Orlando | Locksmith Unit on Instagram](#)
- **YouTube:** [Locksmith Orlando | Locksmith Unit on YouTube](#)

- **TikTok:** [Locksmith Orlando](#) | [Locksmith Unit on TikTok](#)
- **X (Twitter):** [Locksmith Orlando](#) | [Locksmith Unit on X \(Twitter\)](#)
- **LinkedIn:** [Locksmith Orlando](#) | [Locksmith Unit on LinkedIn](#)
- **Pinterest:** [Locksmith Orlando](#) | [Locksmith Unit on Pinterest](#)
- **Threads:** [Locksmith Orlando](#) | [Locksmith Unit on Threads](#)
- **Blogger:** [Locksmith Orlando](#) | [Locksmith Unit on Blogger](#)
- **Tumblr:** [Locksmith Orlando](#) | [Locksmith Unit on Tumblr](#)
- **Bluesky:** [Locksmith Orlando](#) | [Locksmith Unit on Bluesky](#)
- **Band:** [Locksmith Orlando](#) | [Locksmith Unit on Band](#)
- **VK:** [Locksmith Orlando](#) | [Locksmith Unit on VK](#)
- **Yelp:** [Locksmith Orlando](#) | [Locksmith Unit on Yelp](#)

Worldwide Brand Profiles

- **Medium:** [Locksmith Unit on Medium](#)
- **Instapaper:** [Locksmith Unit on Instapaper](#)
- **Diigo:** [Locksmith Unit on Diigo](#)

More Locksmith Services

- [Commercial Locksmith](#)
- [Residential Locksmith](#)
- [Automotive Locksmith](#)
- [Car Locksmith](#)
- [Vaults and Safes Locksmith](#)
- [Lock Change](#)